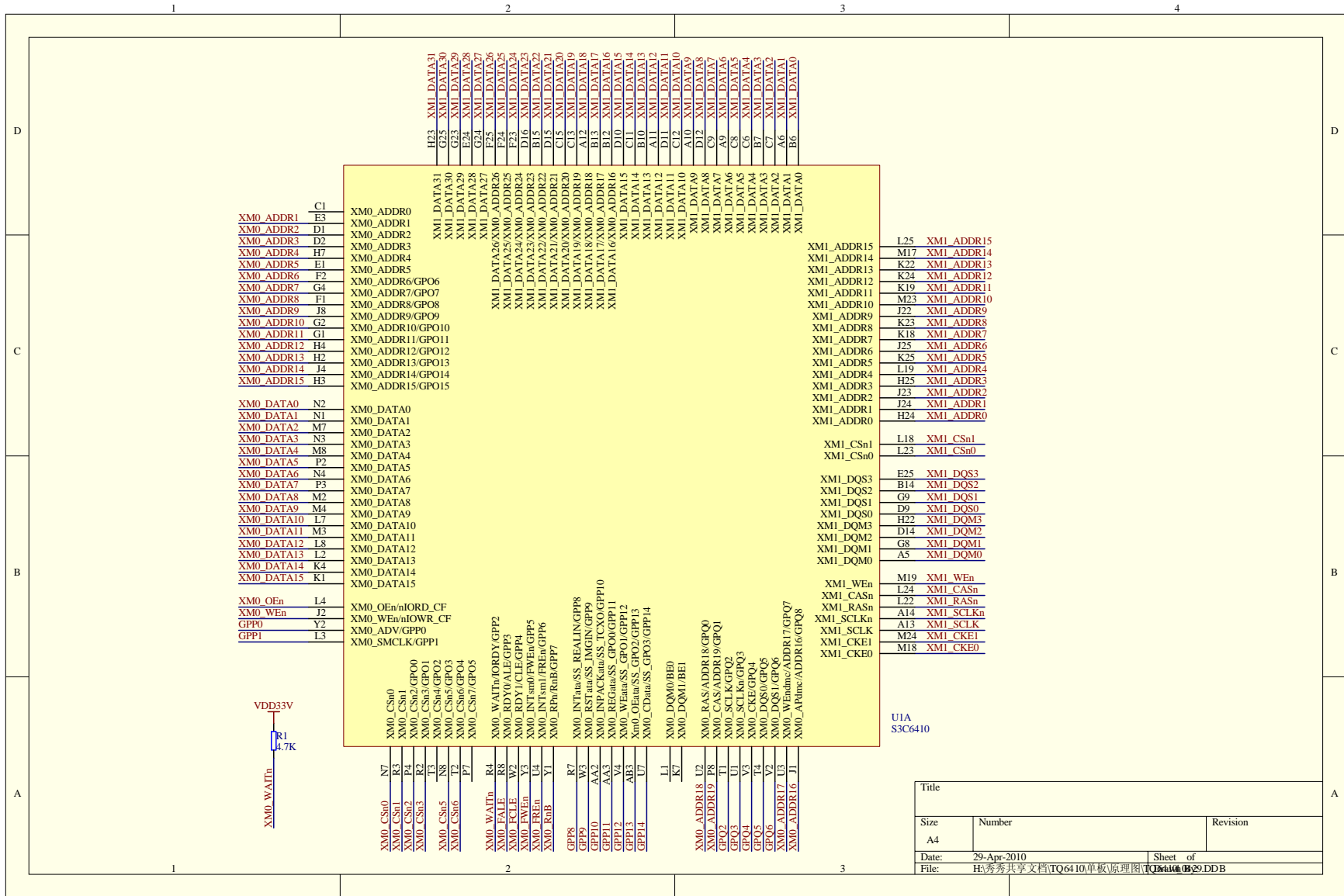


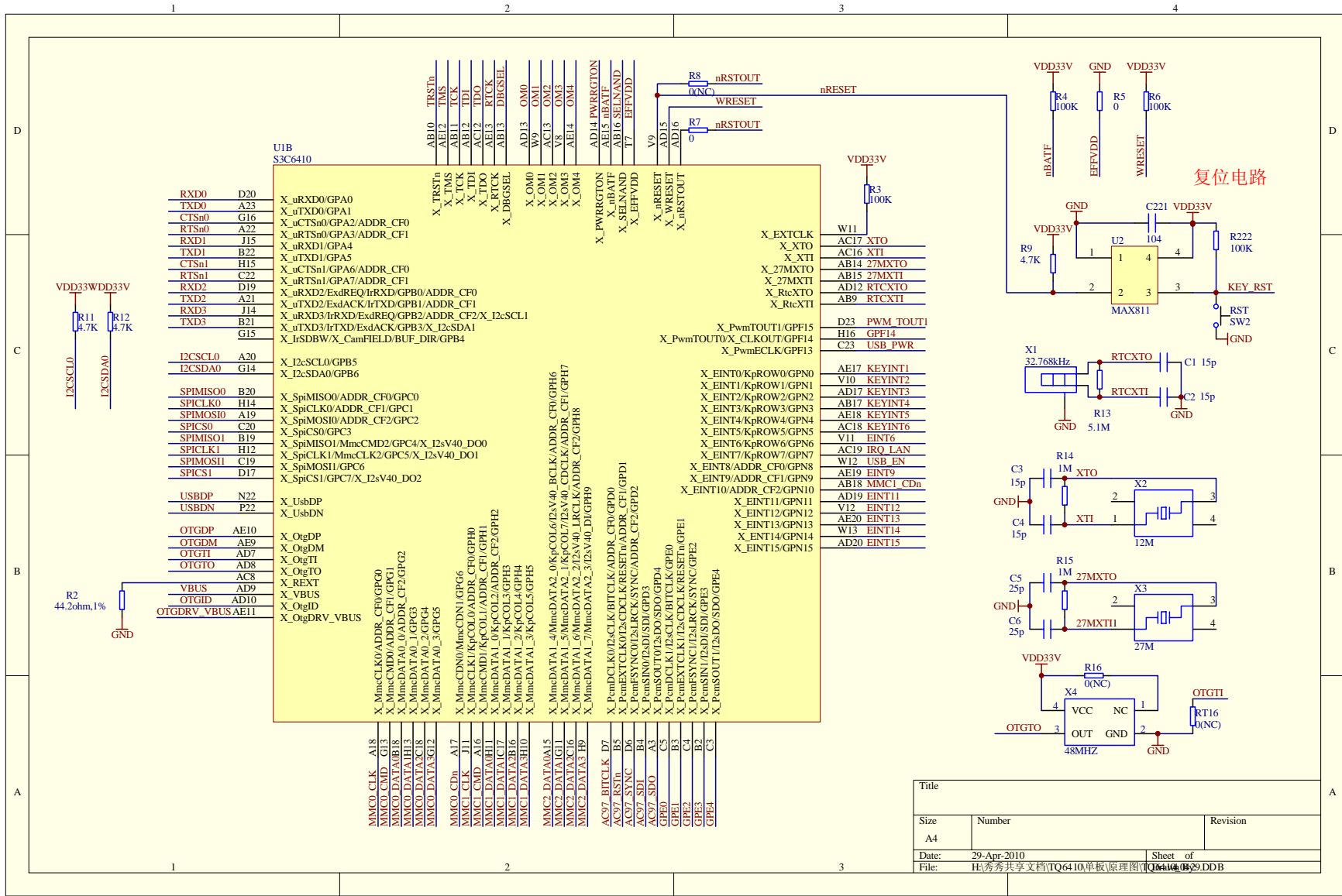
Title		
Size A4	Number	Revision
Date:	29-Apr-2010	Sheet of
File:	H:\秀秀共享文档\TQ6410单板\原理图\TQ6410_09.DDB	



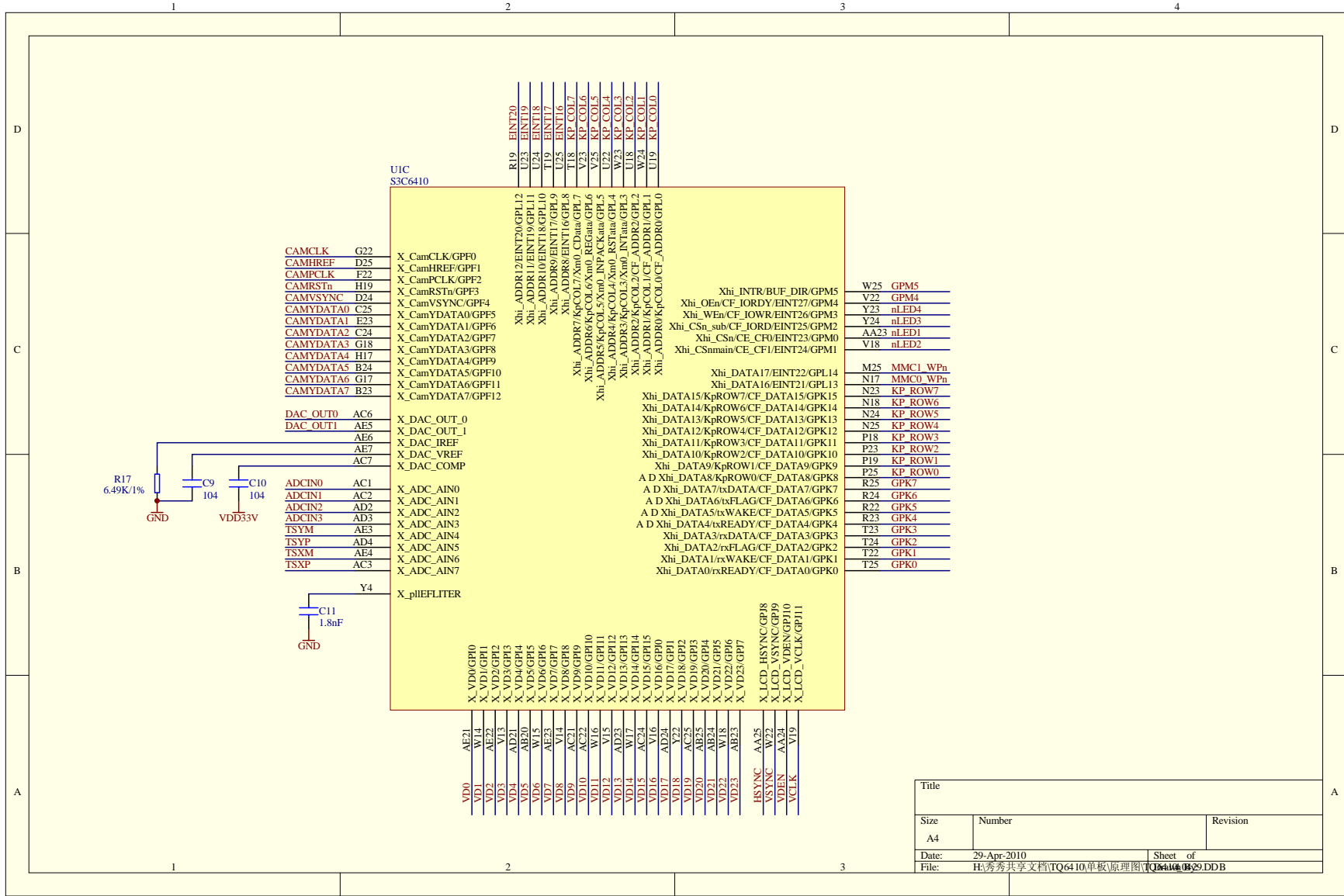
VDD33V
R1
1.7K
XM0_WAITh

U1A
S3C6410

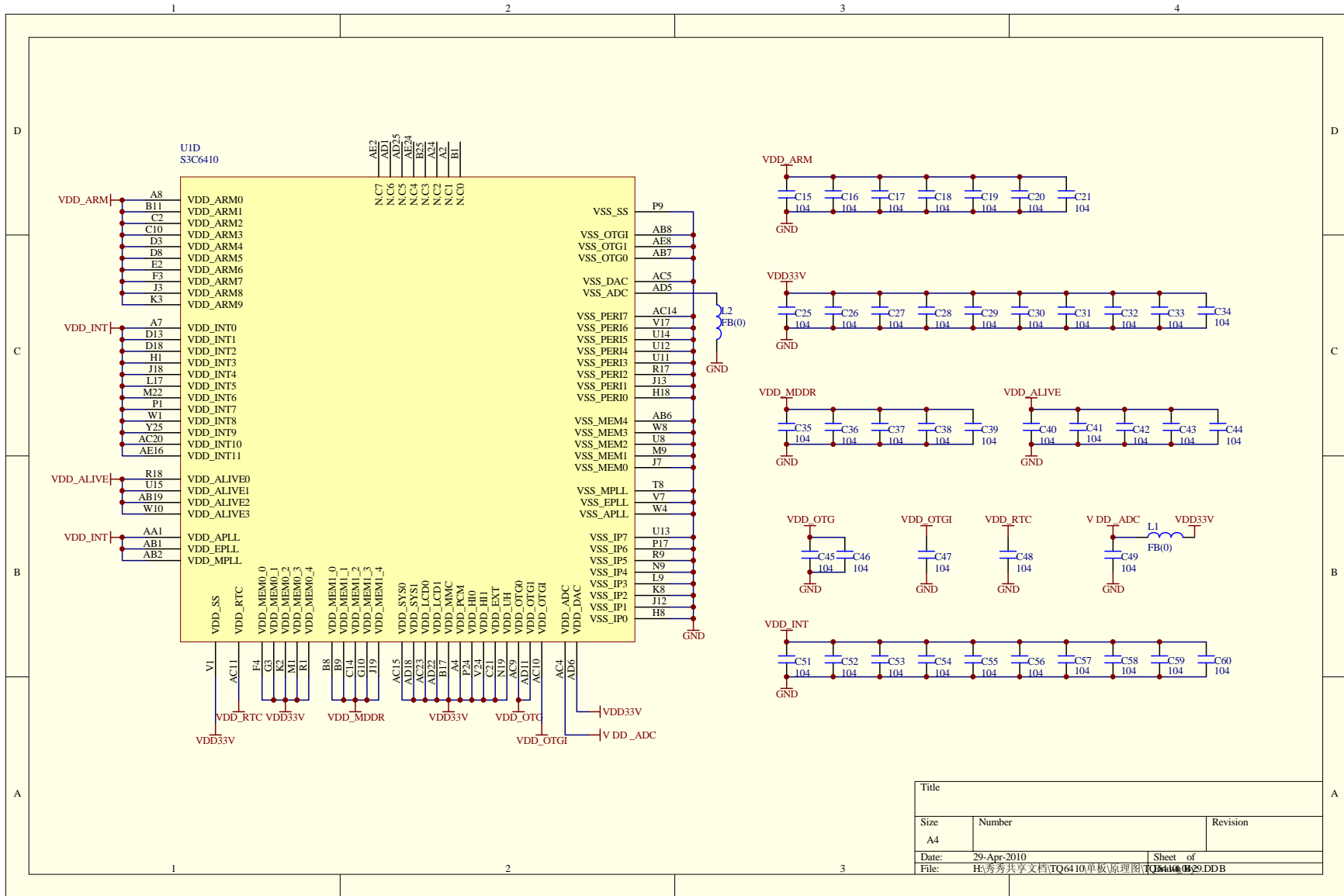
Title		
Size	Number	Revision
A4		
Date:	29-Apr-2010	Sheet of
File:	华秀共享文档\TO6410单板原理图\01401029.DDB	



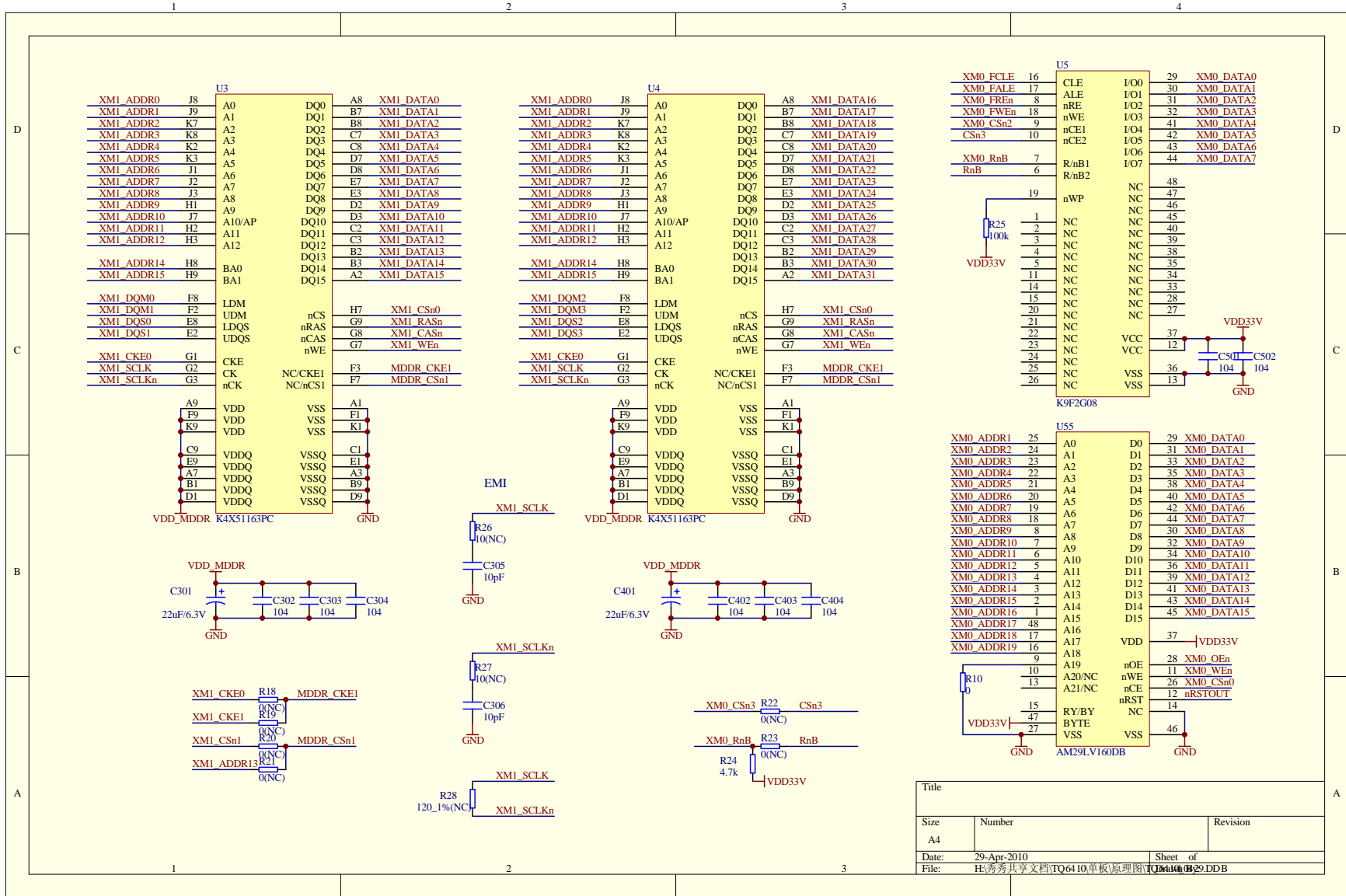
Title		
Size	Number	Revision
A4		
Date:	29-Apr-2010	Sheet of
File:	华秀共享文档\TQ6410单板原理图\04140929.DDB	1/1



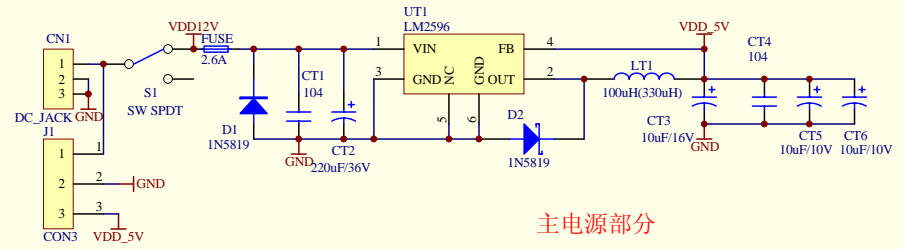
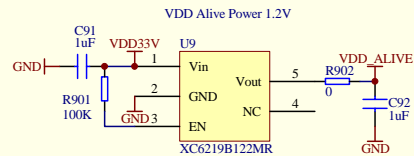
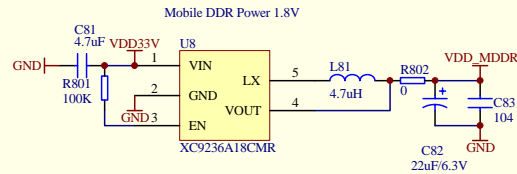
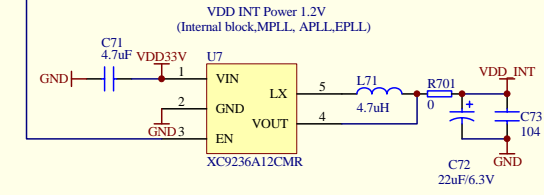
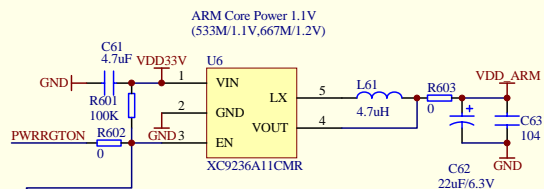
Title		
Size	Number	Revision
A4		
Date:	29-Apr-2010	Sheet of
File:	H:\秀秀共享文档\TQ6410单板原理图\TQ6410_02.DDB	



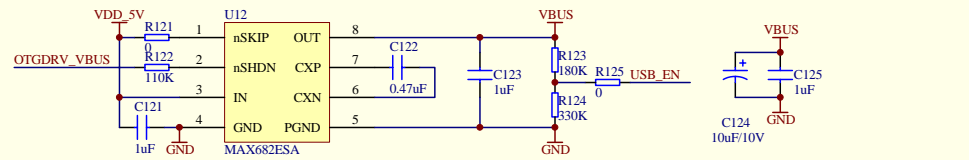
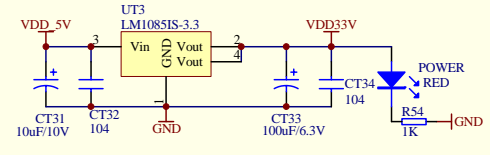
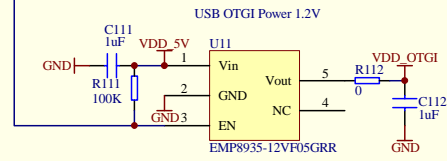
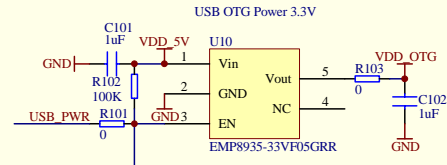
Title		
Size	Number	Revision
A4		
Date:	29-Apr-2010	Sheet of
File:	华秀共享文档\TQ6410单板原理图\0410029.DDB	1/1



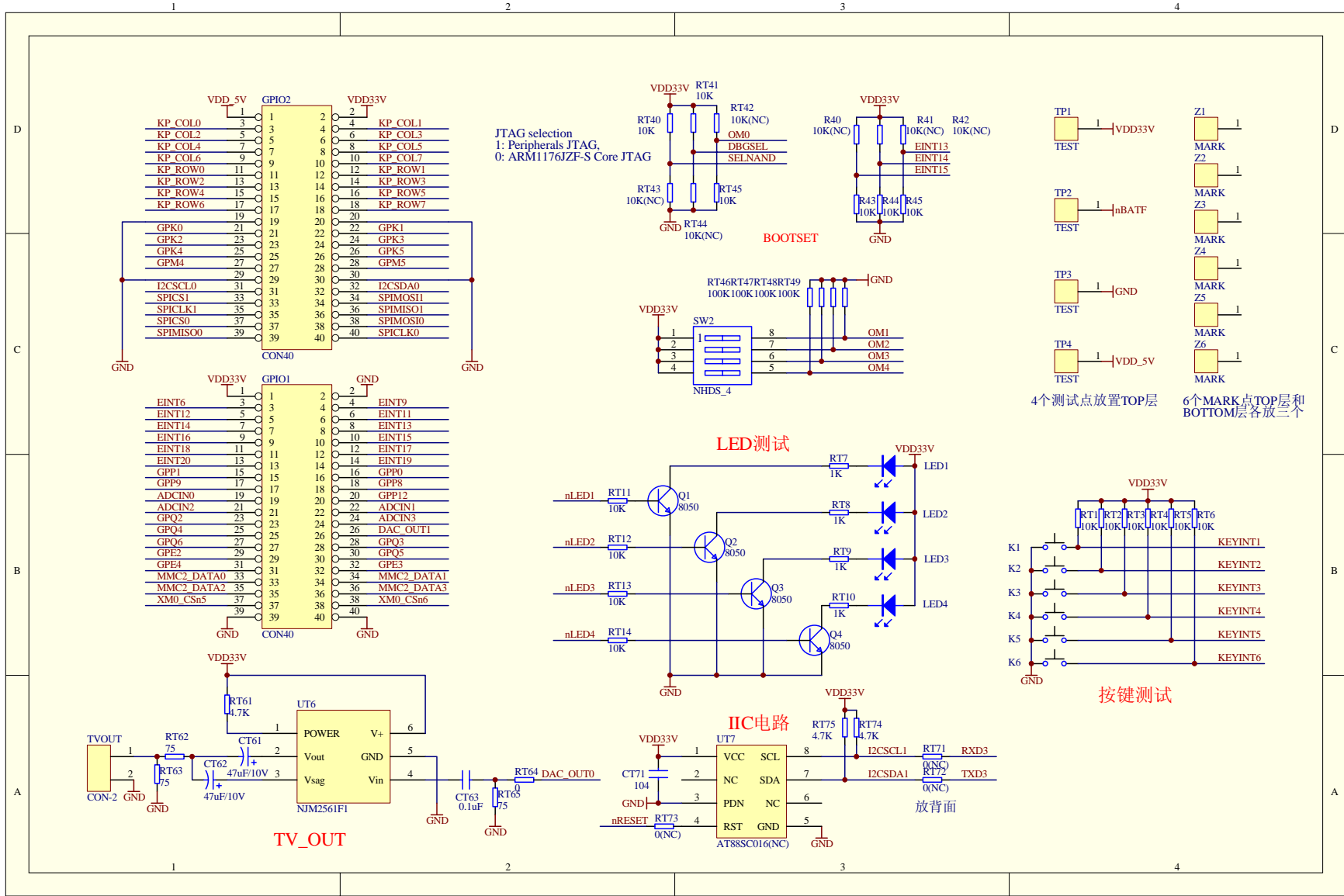
Title		
Size	Number	Revision
A4		
Date:	29-Apr-2010	Sheet of
File:	华秀共享文档TQ6410单板原理图(041409).DDB	10/10



主电源部分



Title		
Size A4	Number	Revision
Date: 29-Apr-2010	Sheet of	
File: H:\秀秀共享文档\TQ6410单板原理图\041009\09.DDB		



JTAG selection
 1: Peripherals JTAG,
 0: ARM1176JZF-S Core JTAG

BOOTSET

4个测试点放置TOP层
 6个MARK点TOP层和BOTTOM层各放三个

LED测试

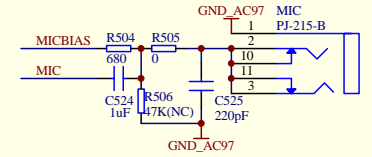
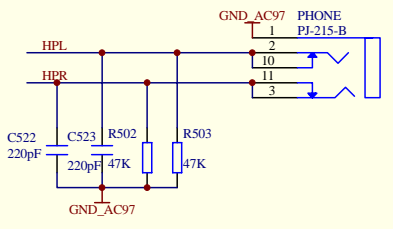
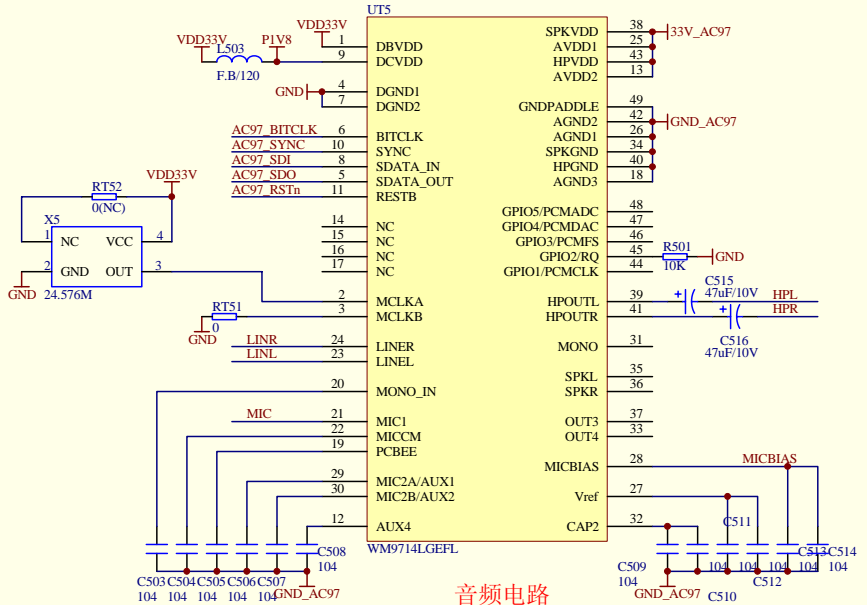
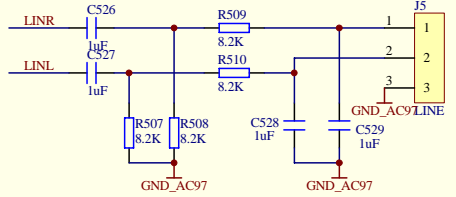
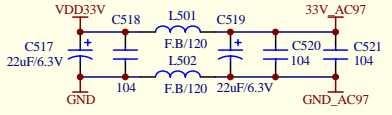
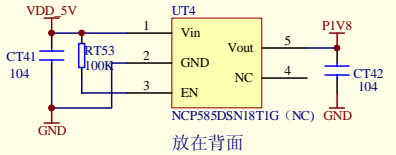
按键测试

TV_OUT

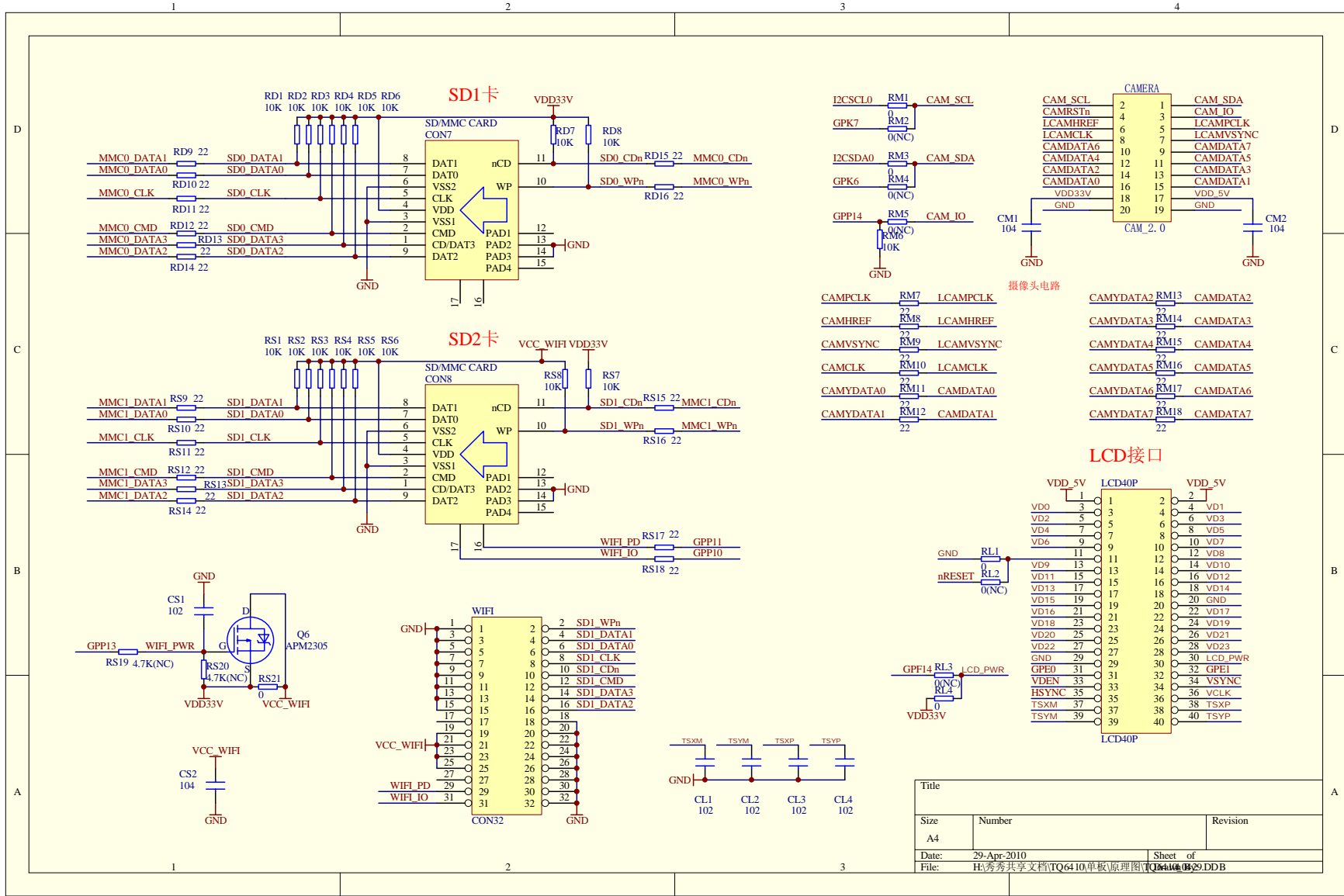
IIC电路

放背面

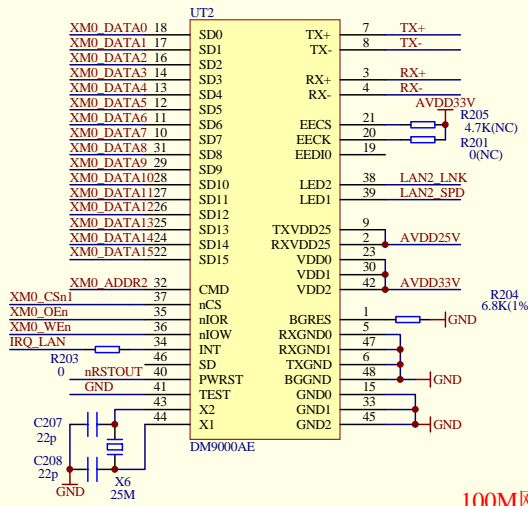
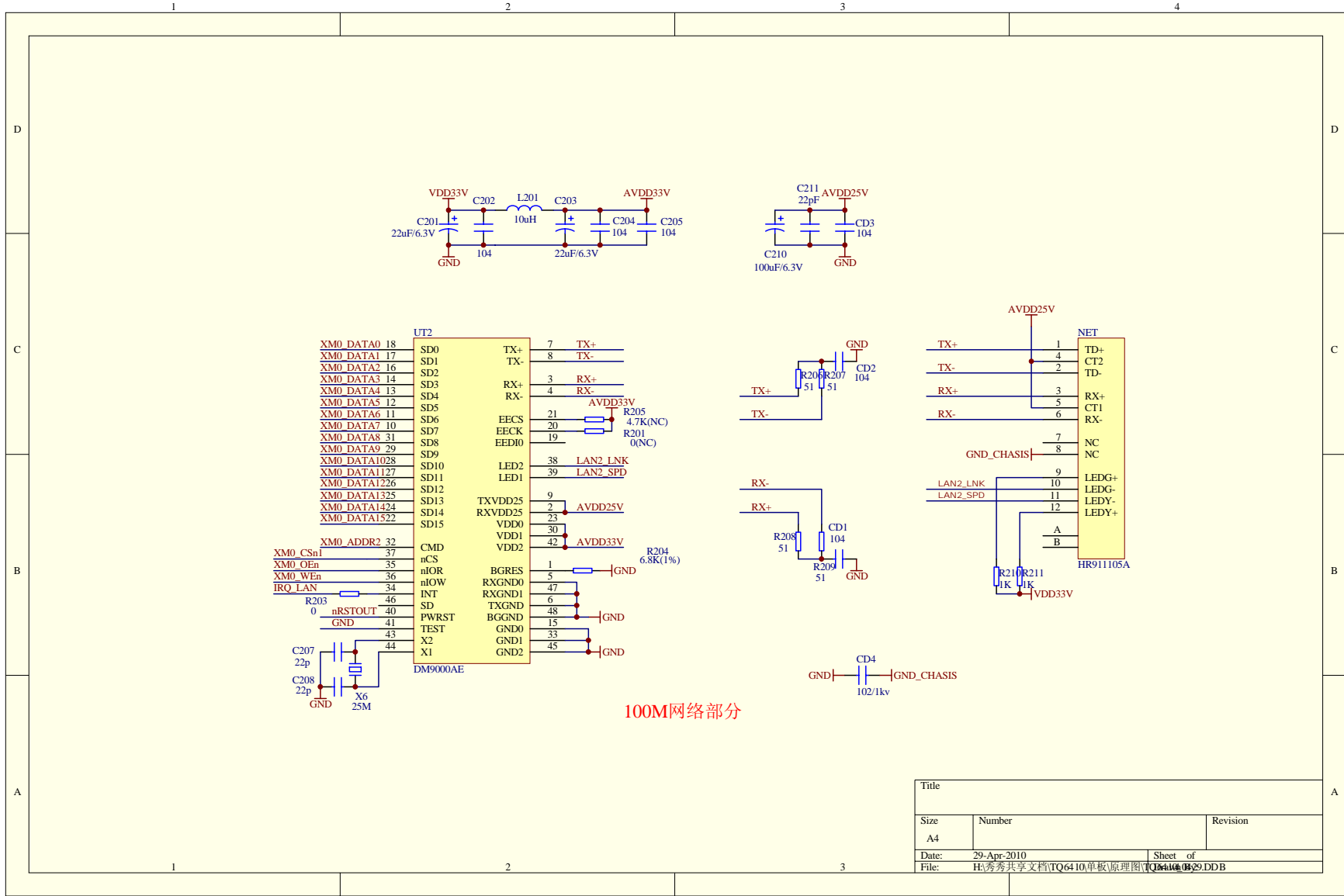
D
C
B
A



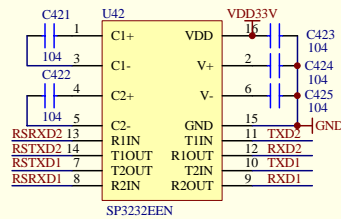
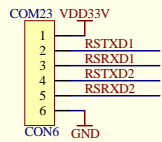
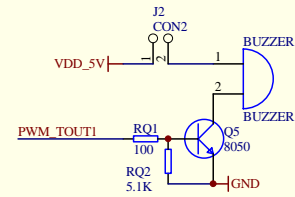
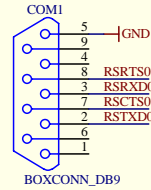
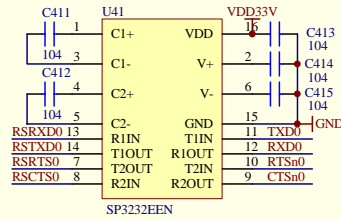
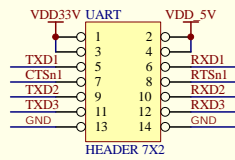
Title		
Size	Number	Revision
A4		
Date:	29-Apr-2010	Sheet of
File:	华秀共享文档\TQ6410单板原理图\TQ6410_09.DDB	10/10



Title		
Size	Number	Revision
A4		
Date:	29-Apr-2010	Sheet of
File:	华秀共享文档TQ6410单板原理图(10.11.09).DDB	

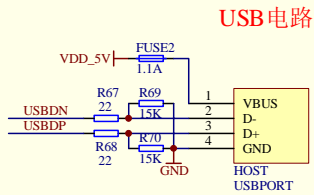


Title		
Size	Number	Revision
A4		
Date:	29-Apr-2010	Sheet of
File:	H:\秀秀共享文档\TQ6410单板原理图\TQ6410_02.DDB	

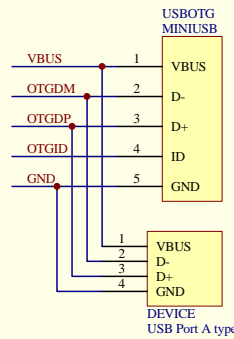


串口电路

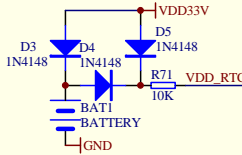
蜂鸣器控制电路



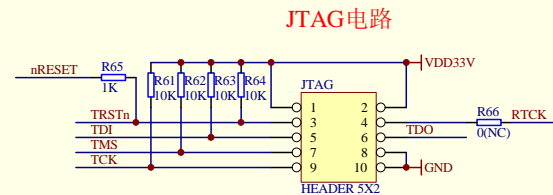
USB电路



RTC电路



如果是充电电池
D3二极管可以焊



JTAG电路

Title		
Size A4	Number	Revision
Date: 29-Apr-2010	Sheet of	
File: H:\秀秀共享文档\TQ6410单板(原理图)\041009.DDB		